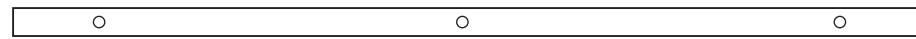
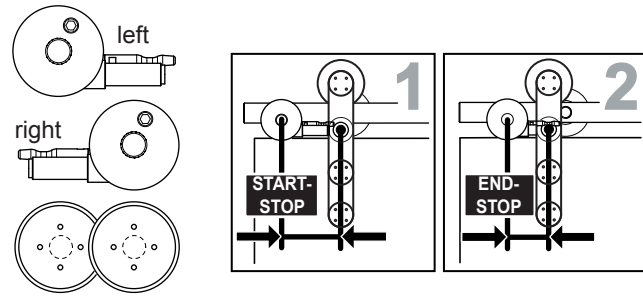


**1 Set sliding door fittings Flatec I**

**2 Guide rail**

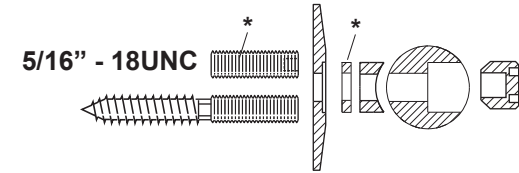


**3 Door stoppers Soft-Tec**

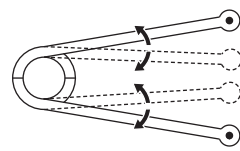


**5 Wall fixtures**

(without screws and dowels, at construction site)

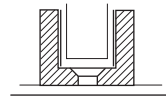


**6 Special tool**

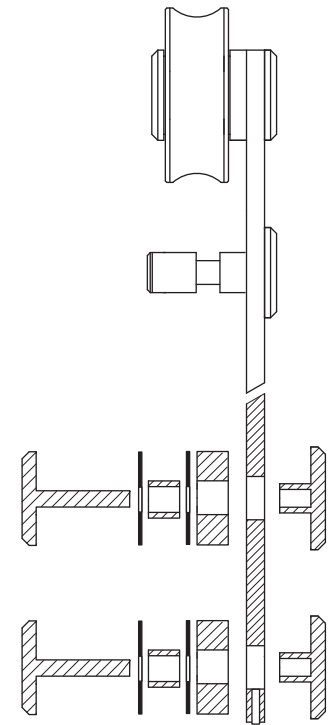


**7 Bottom guide**

(without screws and dowels, at construction site)



**4 Trolley complete**



Attention



Screw on



Screw on



Screw on



Loosen/Tighten



Install



At right angle



Drill



Dowels



Adjust Set



Level



Perpendicular



Measure Mark



Visual inspection



Special-tool



2 people required



Measure



Clarify questions



See Instructions



Secure



Comply with all general safety regulations when installing the sliding door fittings!

Installation to be completed by qualified licensed contractor.

Be sure to tighten all screw connections one week after starting to use the sliding door fittings!

Never use scouring agents to clean the sliding door fittings; rather use commercially available stainless-steel cleaners!

Set Flatec I	Set / Each					
1 Art.-No.	2	3	4	5	6	7
USU44DS-1800EF	1	2	2	3	1	1
USU44DS-2100EF	1	2	2	4	1	1
USU44DS-2300EF	1	2	2	4	1	1
USU44DS-2540EF	1	2	2	4	1	1

Beyerle US L.L.C., ABP-Beyerle, its subsidiaries and agents are not responsible or liable for damage or injury to any persons or property due to improper installation of its products. All liabilities reside solely with the installer.



Beyerle US L.L.C.

5126 South Royal Atlanta Drive, Tucker, GA 30084, USA

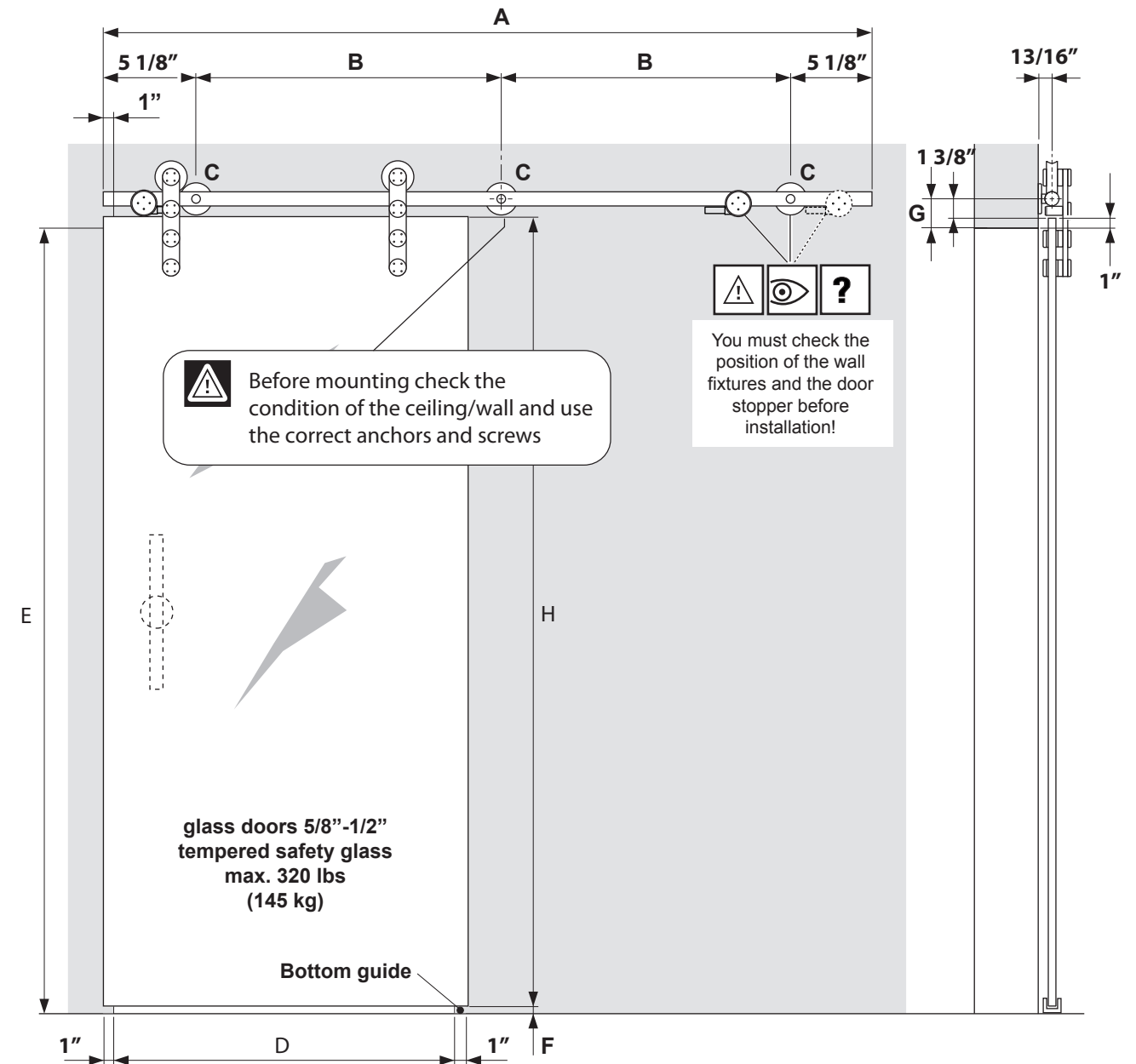
Phone (770) 349 - 6324, Fax (770) 934 - 3384, mail: info@beyerle-us.com, www.beyerle-us.com

65 30 00.0136\_Flatec I\_DS-092015jb

# Installation instructions

## Sliding door fittings Flatec I

for glass doors ( 5/16" - 1/2" ) with Soft-Tec Stopper



**Complete-Set's**

Set-Nr.	A Inch	B Inch	C each	D Inch	E max.Inch	F Inch	G Inch	H max. Inch ( H = E - F + 1" )
USU44DS-1800EF	70 7/8"	30 3/16"	3	29 1/2" - 35 7/16"	98 7/16"	1/4" - 3/8"	2 3/8"	99 1/8"
USU44DS-2100EF	82 11/16"	24 1/8"	4	35 13/16" - 39 3/8"	98 7/16"	1/4" - 3/8"	2 3/8"	99 1/8"
USU44DS-2300EF	90 9/16"	26 3/4"	4	39 3/4" - 44 1/16"	98 7/16"	1/4" - 3/8"	2 3/8"	99 1/8"
USU44DS-2540EF	100"	29 15/16"	4	44 1/2" - 49 3/16"	98 7/16"	1/4" - 3/8"	2 3/8"	99 1/8"

Right to make technical changes reserved - Dimensions in inch - Version 09.2015  
© by ABP-Beyerle GmbH



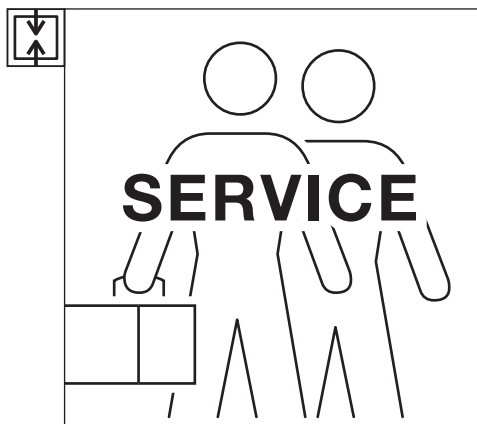


Abb. 1

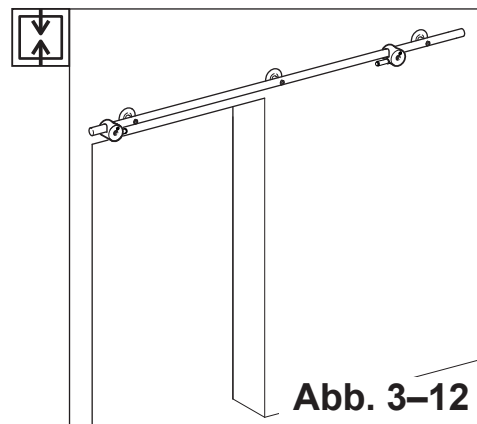


Abb. 2

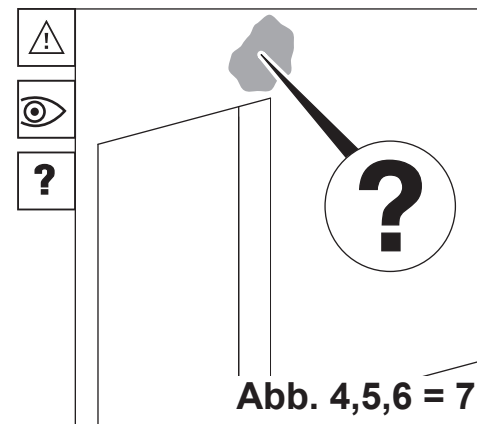


Abb. 3

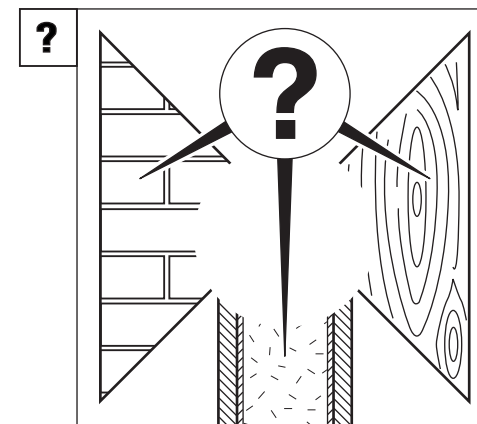


Abb. 4

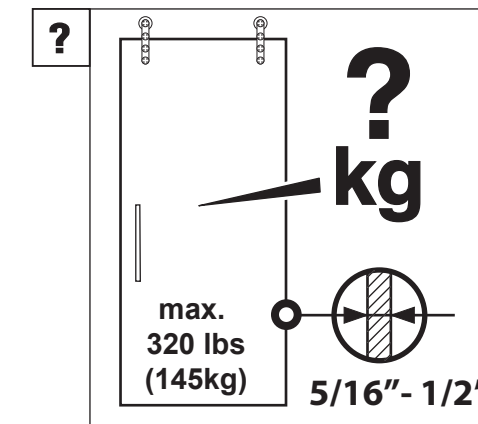


Abb. 5

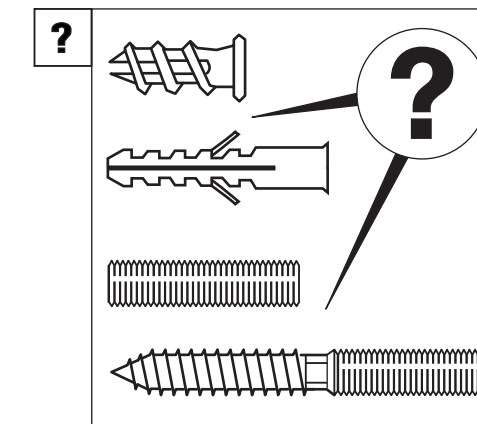


Abb. 6

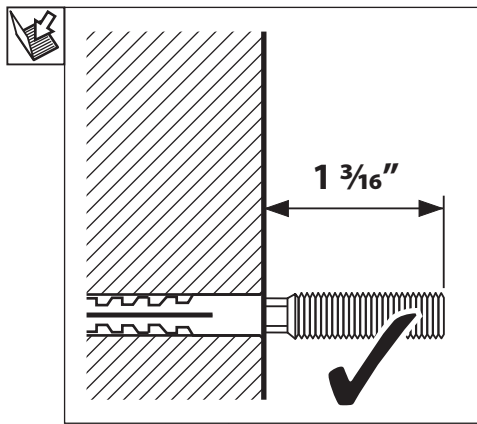


Abb. 7

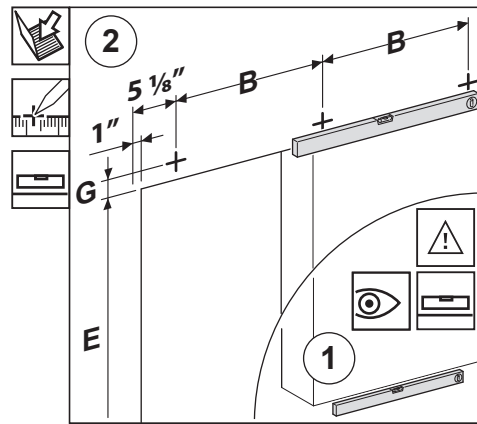


Abb. 8

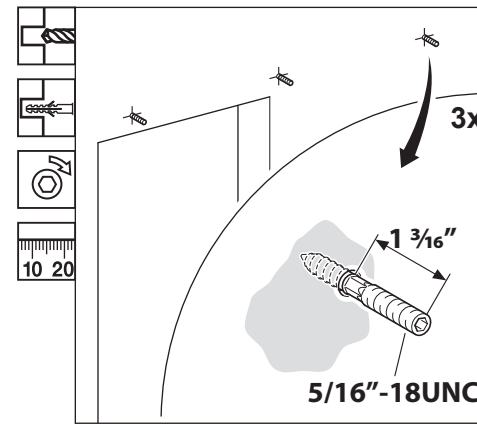


Abb. 9

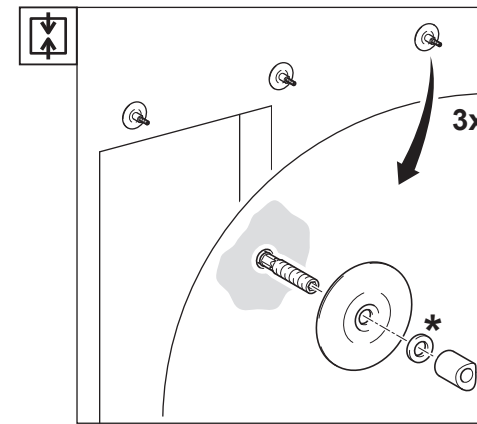


Abb. 10

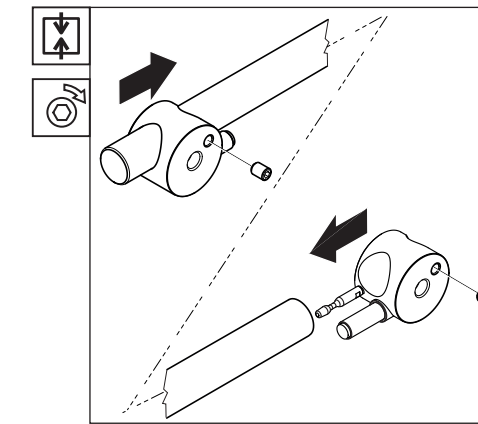


Abb. 11

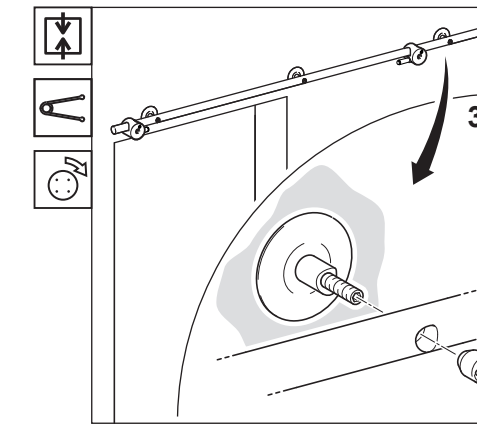


Abb. 12

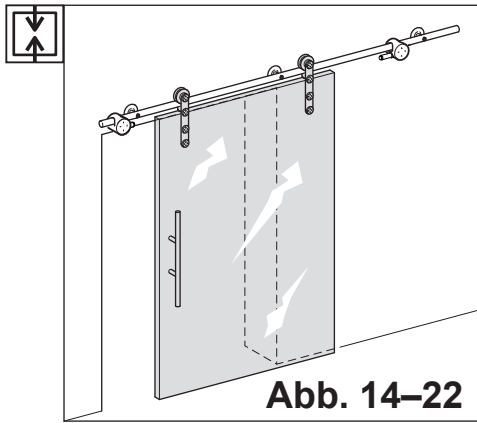


Abb. 13

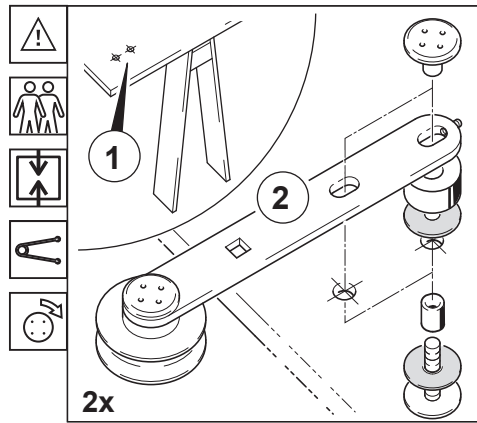


Abb. 14

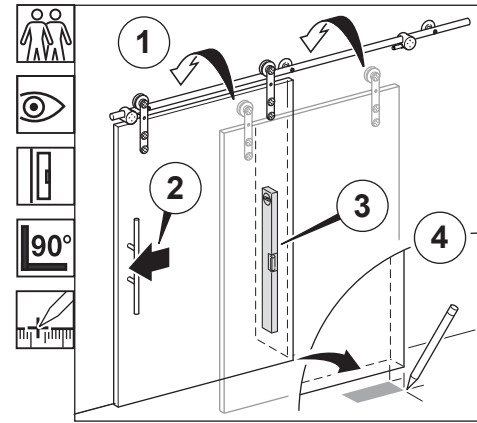


Abb. 15

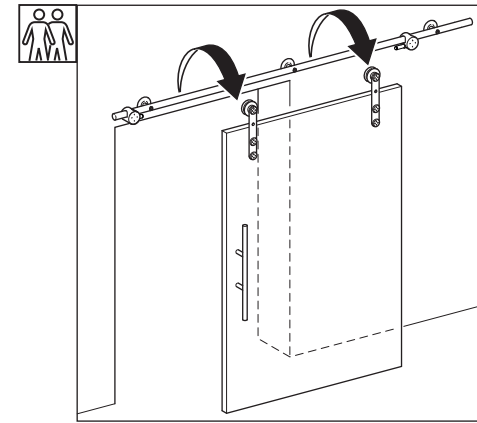


Abb. 16

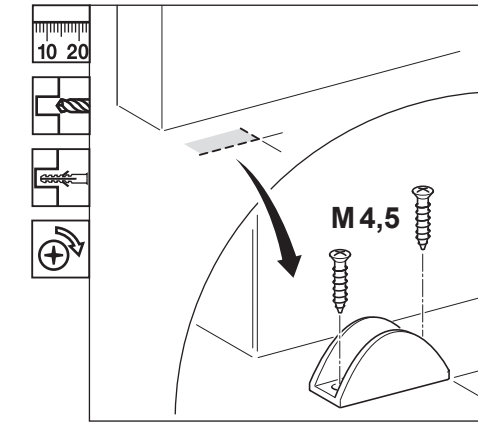


Abb. 17

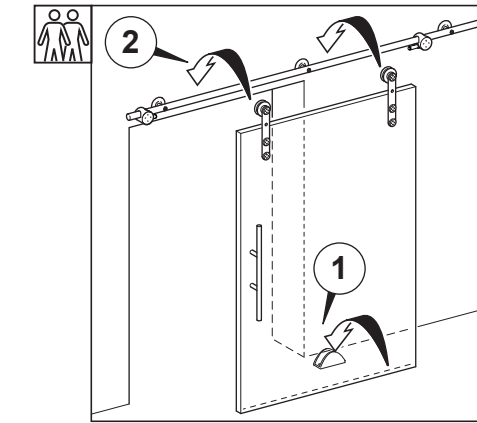


Abb. 18

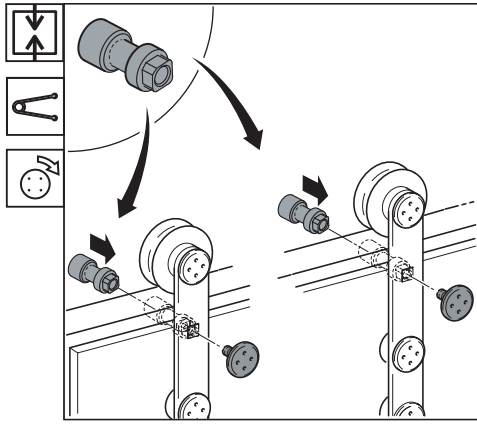


Abb. 19

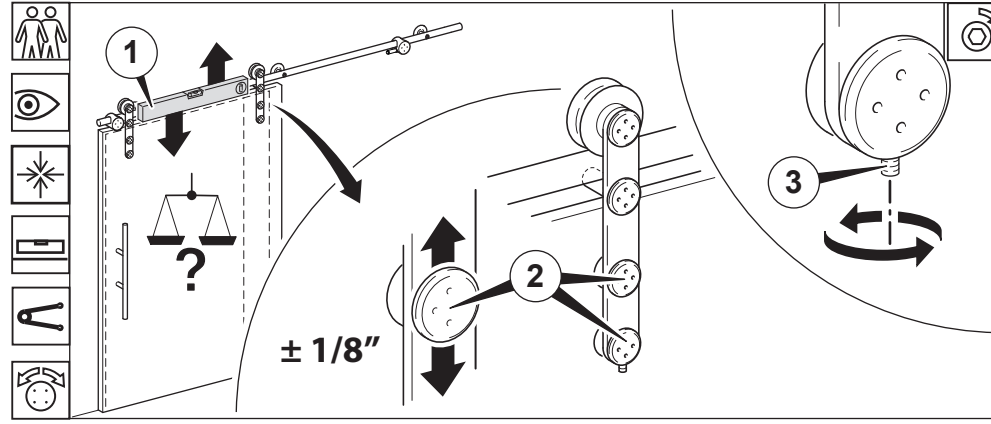


Abb. 20

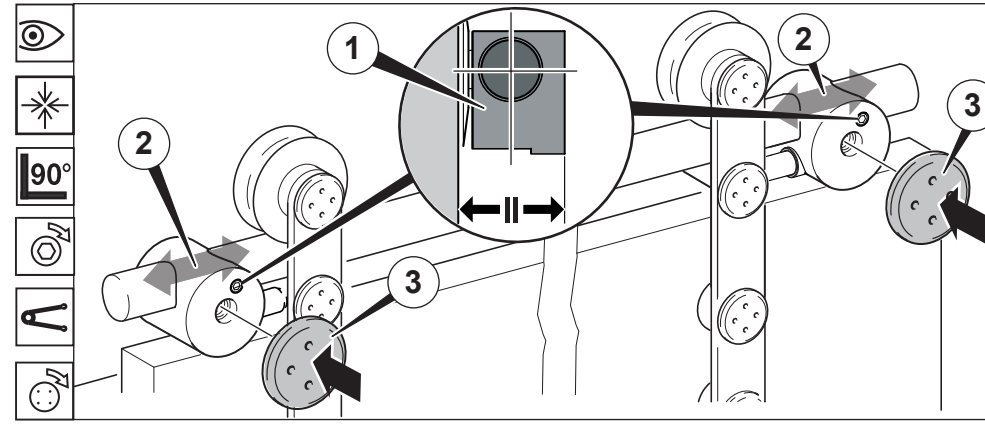


Abb. 21

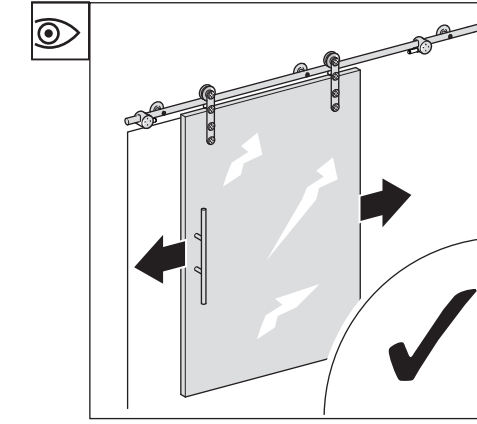


Abb. 22